

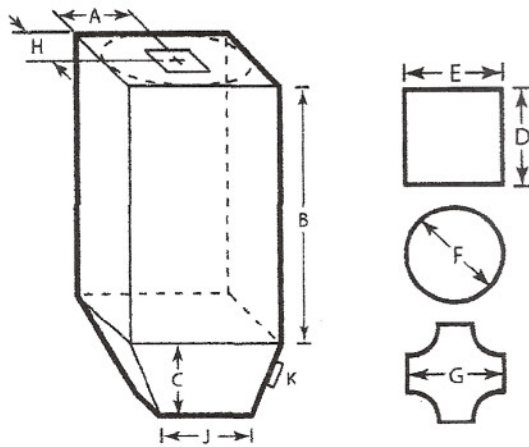
Application Data Sheet

Customer Information

Company Name			Contact Person	
Address			Telephone	
City	State	Zip	Fax No.	Date

Silo/Bin Information

Dimensions



Please specify each dimension that applies to your bin/silo and indicate unit of measure for each as:

Ft = feet cm = centimeters
 In = inches m = meters.

- A _____
- B _____
- C _____
- D _____
- E _____
- F _____
- G _____
- H _____
- J _____
- K _____

Yes No

Is there an elevator to the top of the silo? Yes No

Are there explosion-proof lights available? Yes No

Are there explosion-proof outlets? Yes No

Are there instruments in the silo? Yes No

Is there a dust collection system? Yes No

Obstructions (above or below): Yes No
 Describe (within 2 any direction): _____

Manhole Opening:

Square Round Rect
 ____ ft. ____ in. x ____ ft. ____ in.
 Depth: ____ ft. ____ in.

Silo/Bin Construction:

Concrete
 Steel
 Other
 Silo Identification # _____

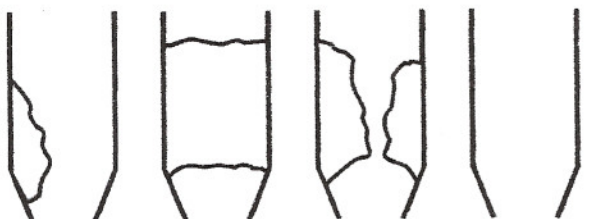
Bin Top:

Indoors Outdoors

Electrical Supply:

220-240 V 3Ph Yes No
 440-480V 3 Ph Yes No
 575-600V 3 Ph Yes No

Silo/Bin Condition



HANG-UP BRIDGING RAT-HOLE OTHER
 (Please circle type of problem) (Please Sketch)

Description of Material _____
 Quantity (Approximately) _____
 Duration of clog _____
 Hazardous? YES NO

Notes

Please briefly explain your situation or include any details not covered above.
